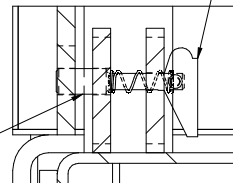


DETAIL B

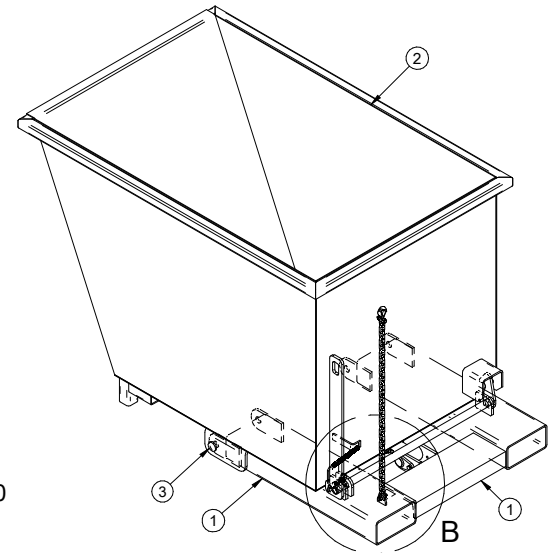
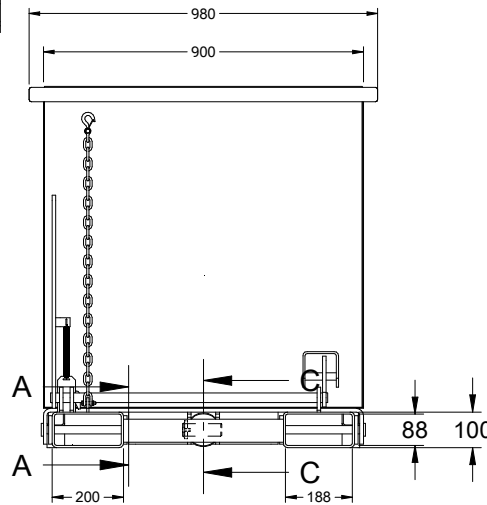
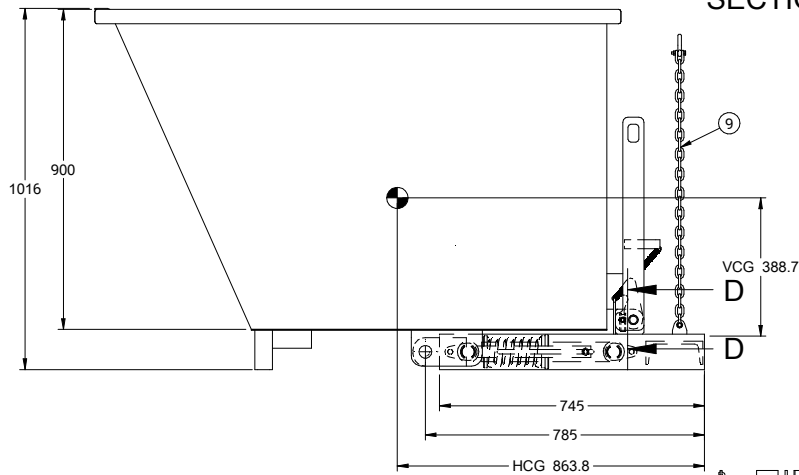
o	o-o	PN	-----
1	1	1883565	WELDMENT POCKET
2	1	1883567	WELDMENT BIN 900MM WIDE
3	2	1883095	PIN CLEVIS 24-270
4	2	6406226	WSHR-FLAT M24 25-44X4
5	2	1883099	SPLIT PIN
6	1	1883112	SPRING, MACHINE HOOK
7	2	1883149	PIN WLDMT 35 DIA L110-97
8	2	C-767961	SCR-HH M8X1.25 L16
9	1	1862514	0.5 TON SAFETY CHAIN ASSY
10	1	1883126	SPRING CYLINDER
11	1	6034808	HOOK PIN KIT

NOTE: FOR ITEM 7 (1883149) REFER TO DWG S-52406.

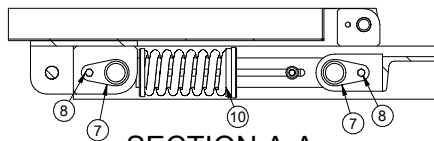
INSTALL HOOK PIN KIT AND CHECK FUNCTIONALITY



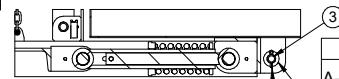
SECTION D-D



DATA PLATE INFORMATION
 MODEL: 10A-MDB-A02-X
 CAPACITY : 1000 KG
 INTERNAL SPACE : 1.00 CUBIC METER
 INTERNAL WIDTH : 894 MM
 POCKET CENTRES : 650 MM
 FORK POCKET SIZE : 188 X 88
 WEIGHT : 225. KG
 H.C. OF G : REFER TO DRAWING
 V.C. OF G : REFER TO DRAWING



SECTION A-A



SECTION C-C

<input type="checkbox"/> A-RELEASED	<input checked="" type="checkbox"/> LISTED	<input type="checkbox"/> DCHEW
		<input checked="" type="checkbox"/> DCHEW
		2019-07-25
		225.kg

SEE CASCADE ENGINEERING STANDARDS FOR DRAFTING CONVENTIONS. UNLESS OTHERWISE SPECIFIED ALL DIMENSIONS ARE IN MILLIMETERS. ALL POSITION TOLERANCES APPLY AT Ⓞ. ENVELOPE REQUIREMENT, Ⓞ, APPLIES.

METRIC	
THIS DRAWING IS THE PROPERTY OF CASCADE AND CONTAINS CONFIDENTIAL INFORMATION. DO NOT REPRODUCE OR USE WITHOUT WRITTEN APPROVAL.	
BIN LOW-PROFILE 1000KG	
10A-MDB-A02-X	
DRIVER RELEASE	
1	SK-56340
	R- 0