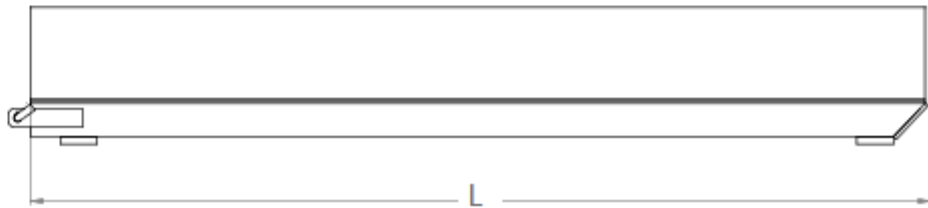
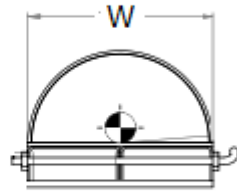
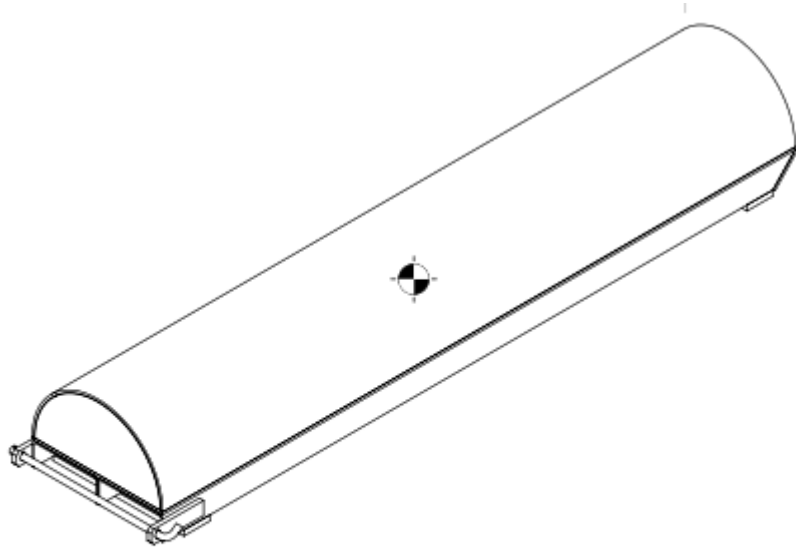
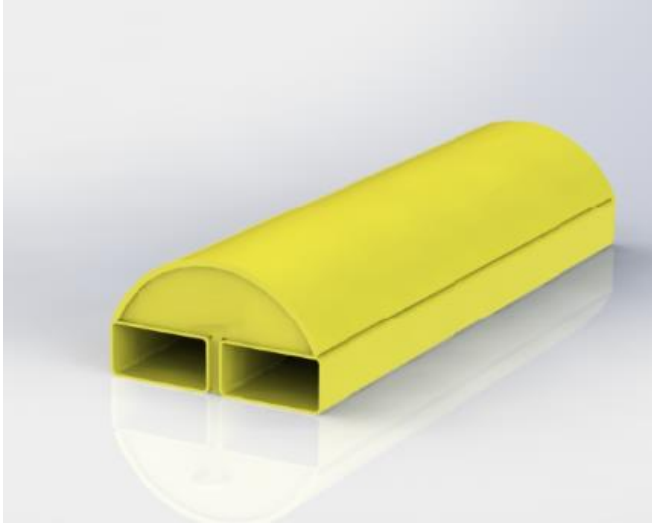


Specifications

Model No: HSSCH
 SWL: 1000kg
 Load Centre: 1250mm
 Length (L): 2500mm
 Width (W): 500mm approx.
 Suits: 120x50mm fork max



REV	DATE	DESCRIPTION

DRN: HSRD	H.S. Research & Development	GA
SCALE: DNS	Unit 2/ 3 Atlas Court, Welshpool, WA 6106 Ph: (08) 9458 7933 Fax: (08) 9458 1351	
CKD:	MATERIAL:	DWG NO:
SCALE:		DIMENSIONS IN MILLIMETERS

A4