

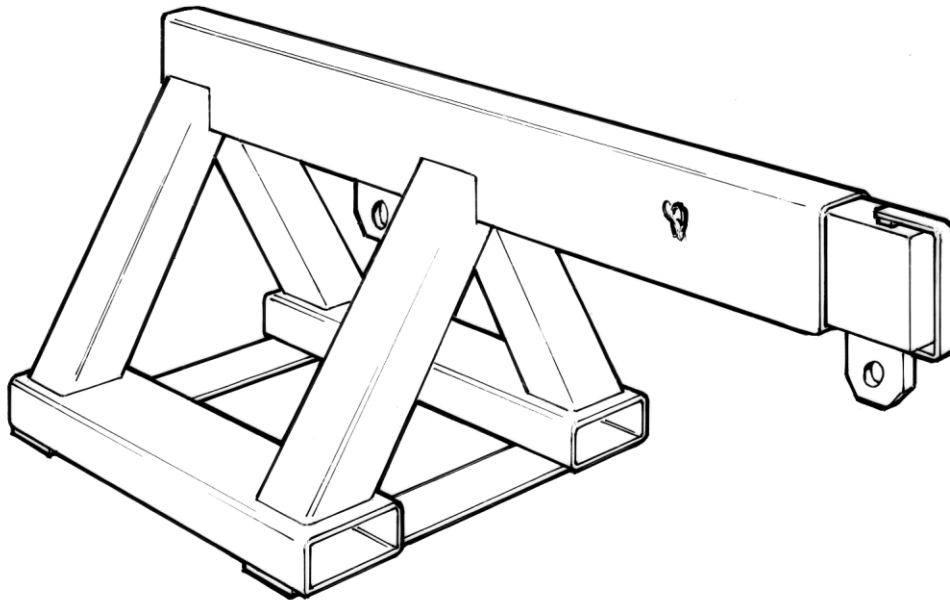


STRONG, DEPENDABLE ATTACHMENTS AND ACCESSORIES

2/3 Atlas Court
Welshpool
Western Australia 6106

Telephone: (08) 9458 7933
Facsimile: (08) 9458 1351
ABN 67 458 625 997

EXTENDABLE JIB



Model -	HSEJ-45
Capacity -	4500kgs @ 500mm 2400kgs @ 1250mm 1800kgs @ 1560mm 1500kgs @ 1870mm 1200kgs @ 2180mm
Unit weight -	135kgs
Lost Load -	0mm
Horizontal C of G -	500mm
Vertical C of G -	350mm.
Paint finish -	Golden yellow

Supplied complete with safety swivel hook.