

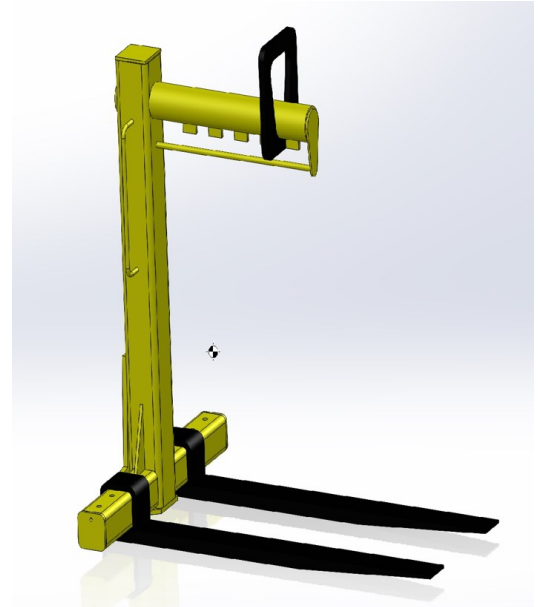
STRONG DEPENDABLE ATTACHMENTS AND ACCESSORIES.

ABOUT

The Handling Systems Australia range of heavy duty pallet hooks offers a solid and secure solution for lifting palletised goods by overhead crane and truck mounted crane. Designed in accordance with AS4991, the fully welded construction provides a robust attachment for rugged environments.

FEATURES

- Capacity: 3000kg.
- Weight: 330kgs.
- Height: 1555mm.
- Width: 1080mm.
- 2x adjustable pallet forks.
- Useable fork length: 1370mm.
- In accordance with AS4991.
- Design Ref: HSRD 1751



CUSTOM SOLUTIONS

The HSPH Pallet Fork range can be designed and fabricated to meet a range of different applications.

Ask us about your custom solution today.

