

APPLICATIONS

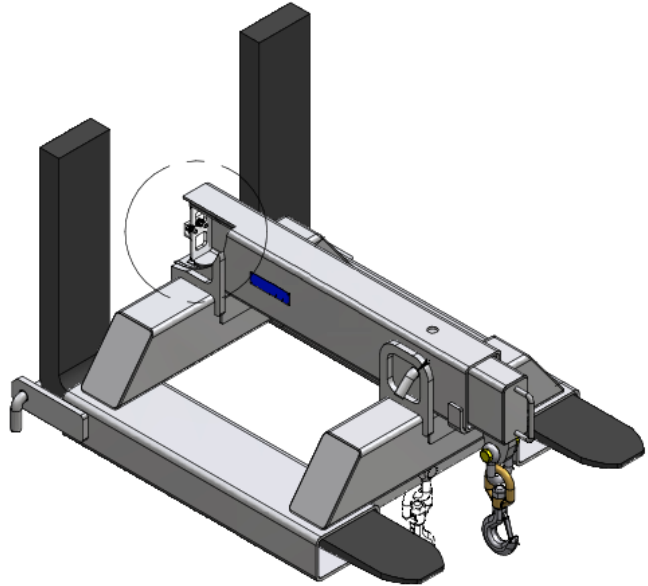
Cascade offers a number of fork mounted jib cranes that quickly convert a lift truck into a mobile crane to easily move non-palletised product. A variety of Jib Crane models for practically any application to increase lift truck versatility. Models include Multi-Angled, Flat, Slip-On, or Carriage- Mounted, allowing for effective slinging of loads beneath a hook. The standard finish on this attachment is zinc.

SPECIFICATIONS

SWL	9500kg
H C of G	583mm
V C of G	148mm
Weight	459kg
Fork Pockets	230x130mm
Pocket Centres	790mm
Drawing Ref	SK-56120

DIMENSIONS

Length—Closed	1390mm
Length— Extended	2150mm
Height	670mm
Width	1080mm



FEATURES AND BENEFITS

- Safety Swivel Hook supplied standard
- Fork Arm Retaining Toggles or retaining chain
- Zinc plated finish
- Designed in accordance with AS2359

NOTE: All lift truck attachments affect the safe working load of a lift truck. End users should consult their lift truck supplier to ensure the lift truck is rated for use with these attachments. In the case of a slung load when lifting a jib attachment, the net lifting capacity should be 0.8 times the rating of the lift truck to allow for the swinging load. Please consult your local lift truck dealer

SAFE WORKING LOAD (SWL) PER POSITION				
POSITION	1	2	3	4
SWL (kg)	9500	4800	3600	3000
EXTENSION (mm)	920	1245	1625	2005

