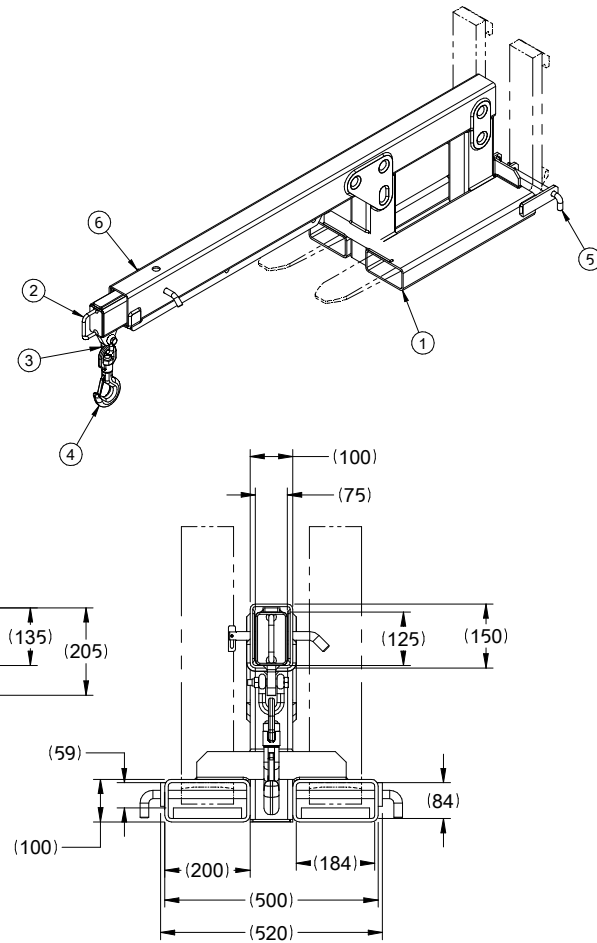
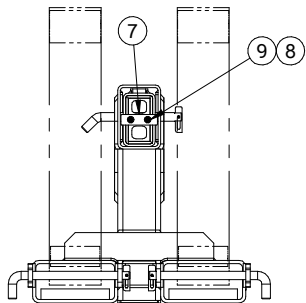
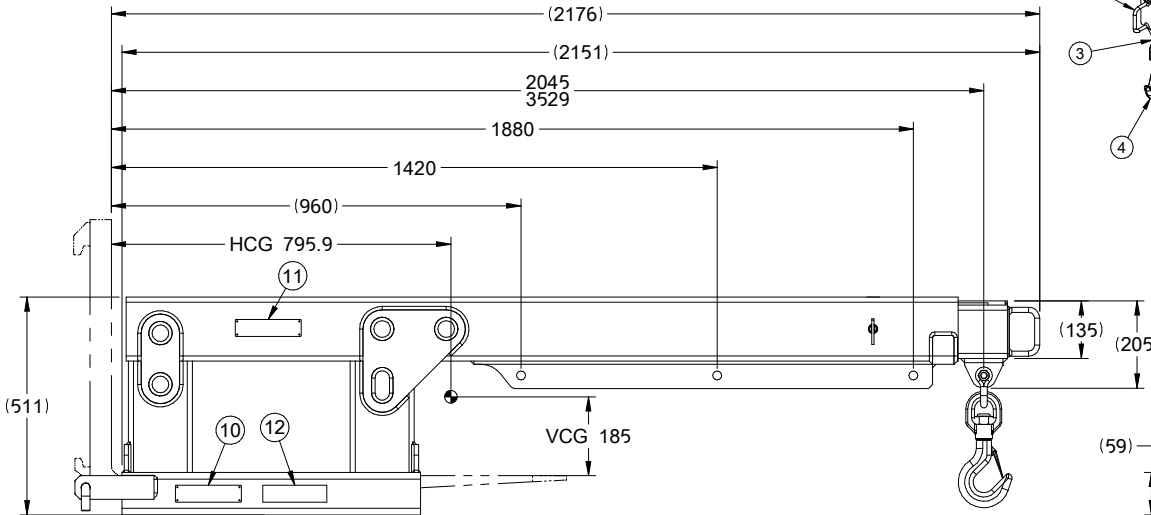
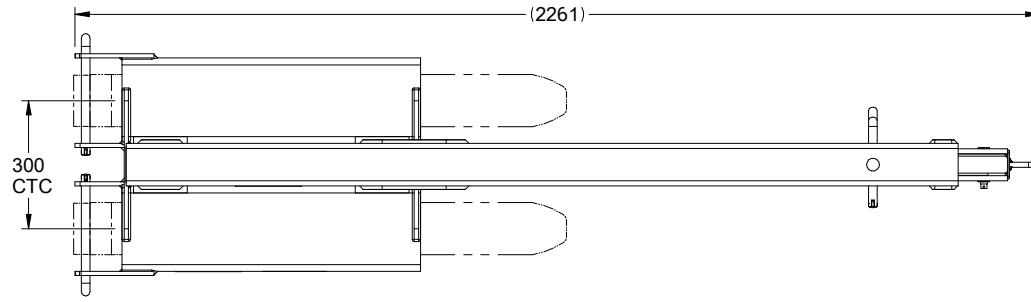


CAPACITY (KG)	LOAD CENTER (MM) (A)
2500	960
2300	1420
1900	1880
1650	2045
1250	2415
650	2785
450	3160
250	3530



o	o-o	PN	----
1	1	1852991	WELDMENT, JIB STATIONARY
2	1	1852993	WELDMENT, JIB MOVING
3	1	6938523	SHACKLE
4	1	6938529	HOOK ASSY
5	2	1852360	RETAINING PIN
6	1	1853558	RETAINING PIN
7	1	1857162	STOP
8*	2	C-680253	WSHR-LKSP-SH M8 8.1-12.7-2
9	2	C-768793	SCR-SH M8X1.25 L16
10	1	6095754	NAMEPLATE
11	1	1869381	SWL DATA PLATE
12	1	1854268	DECAL, STATUTORY WARNING

DATEPLATE INFORMATION:

MODEL: 25A-JBE-F-0100  
 CAPACITY: 2500KG AT 960MM (FROM FORK SHANK)  
 ALTERNATE CAPACITIES: REFER TO LOAD CHART  
 HCG: 796 MM (B)  
 VCG: 185 MM  
 WEIGHT: 180 KG

A-UPDATE LC	LISTED	D-CHEW
B-UPDATE COG		B-HUDSPET
		2021-01-28
		180.kg
SEE CASCADE ENGINEERING STANDARDS FOR DRAFTING CONVENTIONS. UNLESS OTHERWISE SPECIFIED ALL DIMENSIONS ARE IN MILLIMETERS. ALL POSITION TOLERANCES APPLY AT @. ENVELOPE REQUIREMENT, @, APPLIES.		

METRIC

THIS DRAWING IS THE PROPERTY OF CASCADE AND CONTAINS CONFIDENTIAL INFORMATION. DO NOT REPRODUCE OR USE WITHOUT WRITTEN APPROVAL.

**FIXED JIB, LONG 2.5T**

**25A-JBE-F-0100**

1	SK-27309	R- 5
---	----------	------