

APPLICATIONS

Designed to empty awkward 660L Plastic bins into larger receptacles, the HSWBT bin tipper makes the job easy. A safety chain is provided to hold the bin in place as the bin is tipped through 130 degrees. Standard finish safety yellow paint.

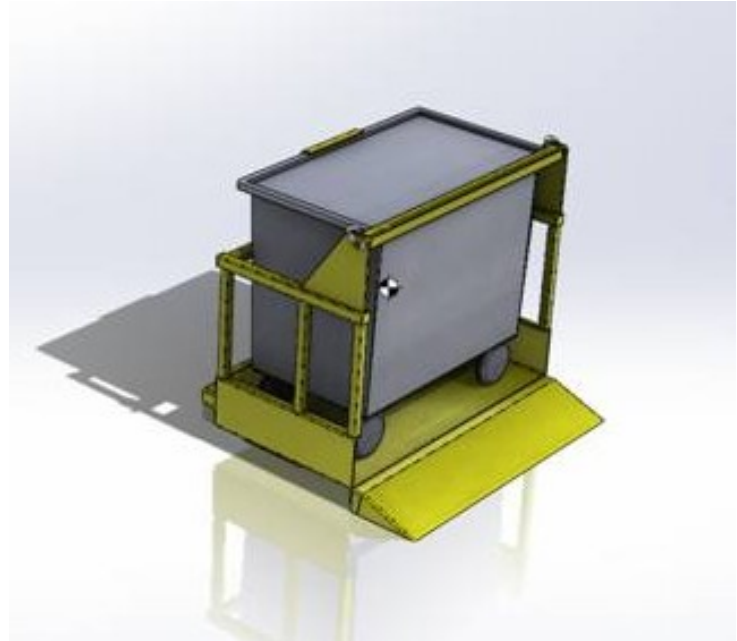


FEATURES

- Designed to suit 1x 660 litre bin
- 130° forward tip
- Operated from driver's seat
- Easy access ramp for wheelie bin
- Backrest and chain to secure wheelie bin
- HSRD 1923

SPECIFICATIONS

Capacity:	300kgs
Weight:	250kg
Pocket Size:	160x50mm
Pocket Centres	740mm
H C of G	1305mm
V C of G	-200mm



DIMENSIONS

Overall Length	1167mm
Overall Width:	1360mm
Overall Height:	880mm

