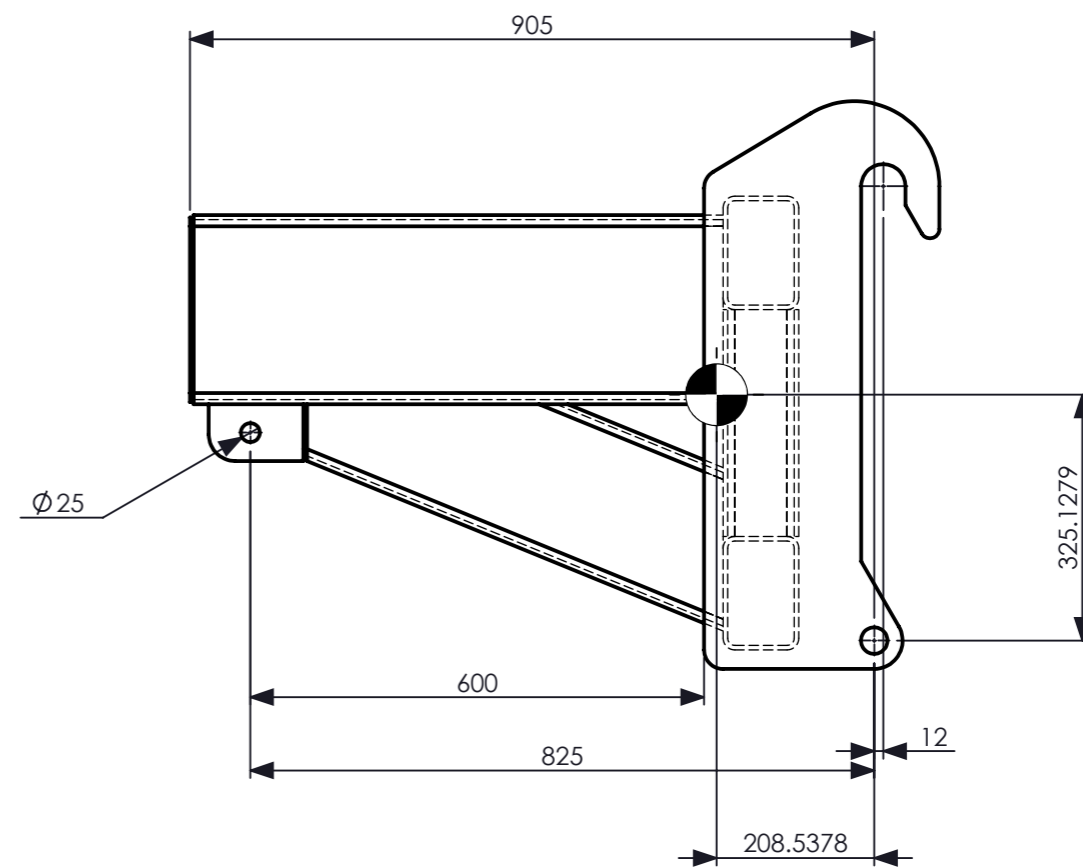
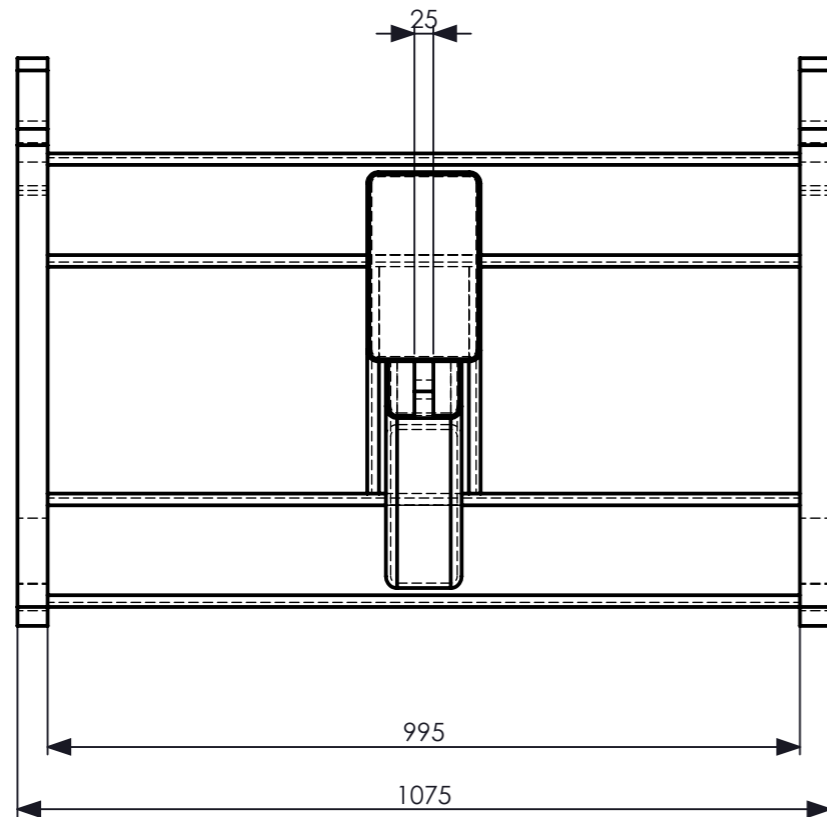




SWL	4 500KG @ 600 mm
WGT	195 KG
HCG	210 mm
VCG	330 mm
LL	0



	DATE		HS RESEARCH & DEVELOPMENT PTY LTD 2/3 ATLAS COURT, WELSHPOOL WA 6106 Ph: +61 (08) 9458 7933 F: +61 (08) 9458 1351	
	11/11/2022		HSRD 931 (600mm)	
	DRAWN			
	WK			
CHECKED				
	SCALE:	DIMENSIONS IN MILLIMETRES		A3