

1 2 3 4 5 6 7 8 9 10

A

B

C

D

E

F

G

H

I

A

B

C

D

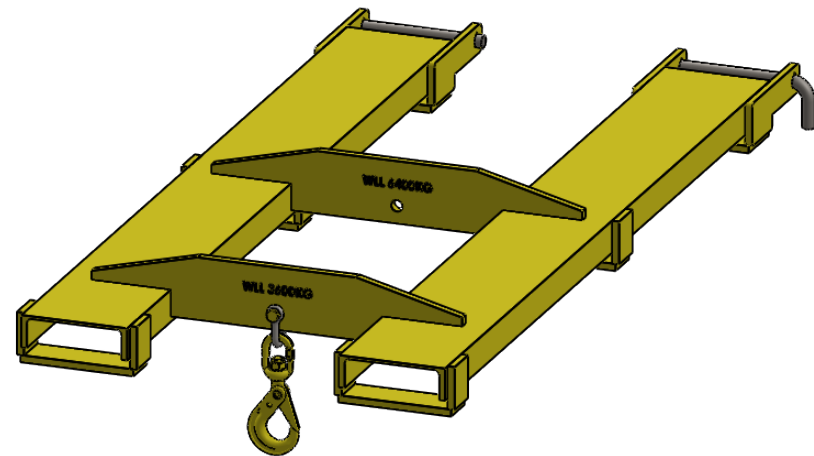
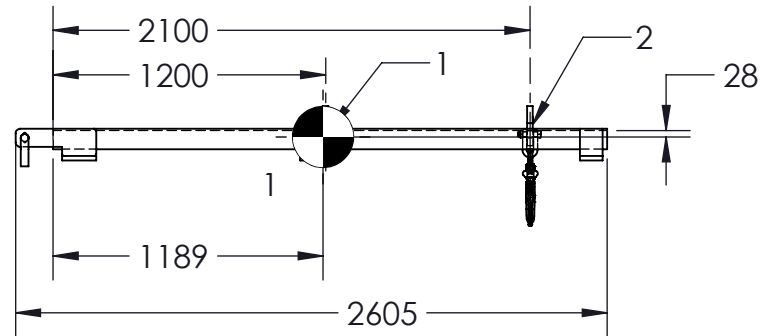
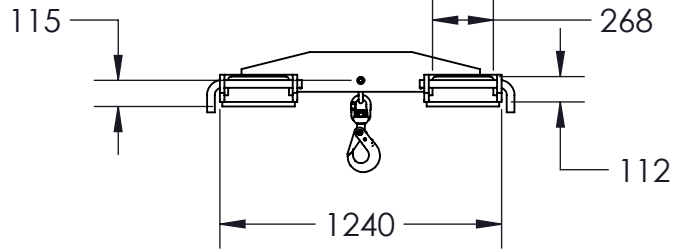
E

F

G

H

I



LOADING POINT	WLL(KG)	LOAD CENTER(MM)	HCG(MM)	VCG(MM)	MASS(KG)
1	6200	1200	1189	-28	330
2	3600	2100	1189	-28	330

Design Notes:

1. Designed as per AS 2359.1 - 1995
2. Unit shall be secured on Tyne by provided locking pin
3. WLL is related to the structural capacity of the jib only
4. Tyne thickness + 10mm
5. Pocket Sizes : 250x110

REV	DATE	DESCRIPTION

DRN:	H.S. Research & Development	
HF	Unit 2/ 3 Atlas Court, Welshpool, WA 6106	
DATE:	Ph: (08) 9458 7933 Fax: (08) 9458 1351	
29/03	MATERIAL:	DWG NO:
CKD:	-	H.S.RD 289
SCALE:		DIMENSIONS IN MILLIMETERS

A4

1 2 3 4 5 6 7 8 9 10