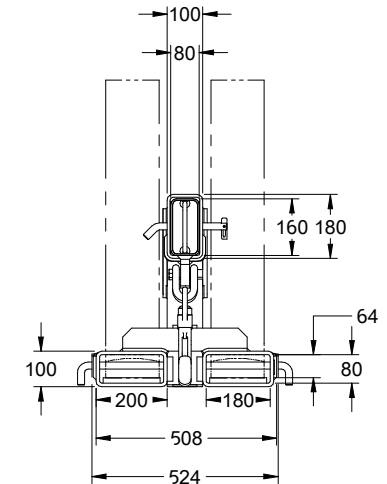
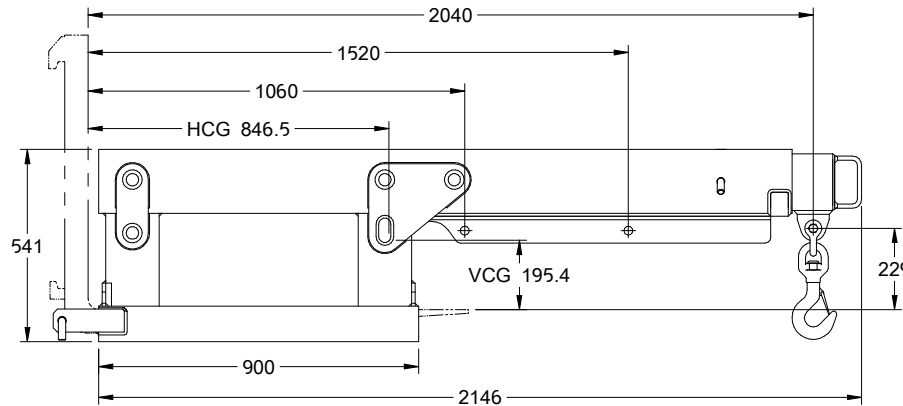
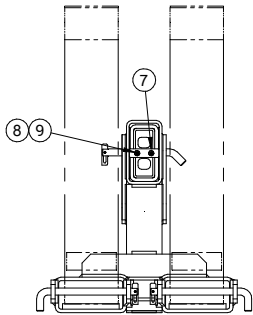
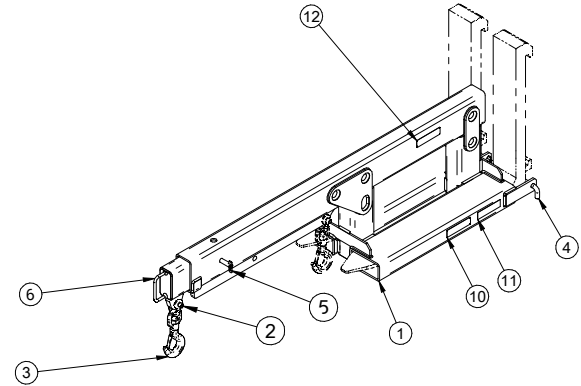
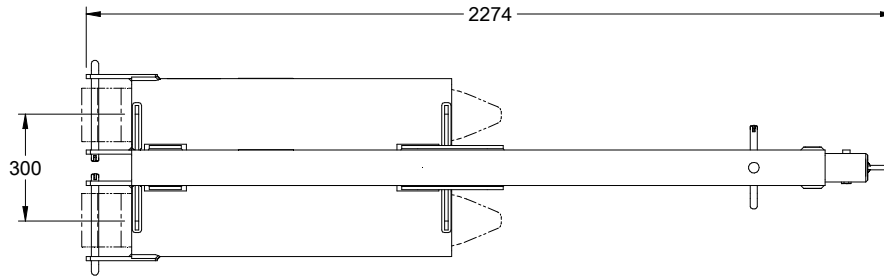


CAPACITY (kg)	LOAD CENTER (LC) (mm)
4500	1060
4150	1520
3300	2040
2450	2410
1300	2780
760	3155
480	3525



o	o-o	PN	----	o	o-o	PN	----
1	1	1866473	WELDMENT, JIB STATIONRY	10	1	6095754	NAMEPLATE
2	1	1862615	D-SHACKLE 4.7 TONNE	11	1	1854268	DECAL, STATUTORY WARNING
3	1	1862616	HOOK ASSY	12	1	1866471	SWL DATA PLATE
4	2	1852360	RETAINING PIN				
5	1	1853558	RETAINING PIN				
6	1	1866479	INNER BOOM WELDMENT				
7	1	1866481	STOP PLATE				
8*	2	C-680253	WSHR-LKSP-SH M8 8.1-12.7-2				
9	2	C-768793	SCR-SH M8X1.25 L16				

DATA PLATE INFORMATION

MODEL: 45A-JBE-F-0100  
 CAPACITY: 4500 KG AT 1060MM (FROM FORK SHANK)  
 ALTERNATE CAPACITY: REFER LOAD CHART  
 H.C. OF G: 847mm  
 V.C. OF G: 195mm  
 WEIGHT: 279kg

METRIC

A-PIC REV	LISTED	<input checked="" type="checkbox"/> DCHEW <input checked="" type="checkbox"/> JDAVIS <input checked="" type="checkbox"/>	 THIS DRAWING IS THE PROPERTY OF CASCADE AND CONTAINS CONFIDENTIAL INFORMATION. DO NOT REPRODUCE OR USE WITHOUT WRITTEN APPROVAL. <b>JIB, LONG, 4500 KG</b> <b>SLIP ON</b>
SEE CASCADE ENGINEERING STANDARDS FOR DRAFTING CONVENTIONS. UNLESS OTHERWISE SPECIFIED ALL DIMENSIONS ARE IN MILLIMETERS. ALL POSITION TOLERANCES APPLY AT Ⓢ. ENVELOPE REQUIREMENT, Ⓢ, APPLIES.		2021-01-29 279.kg 	
1 SK-27498			R- 1