

Fork Positioners Model FR Compact



The model FR Compact represents the basic Bolzoni Auramo fork positioner, used in the most common applications.

The compact structure of the unit, based on a standard Bolzoni Auramo sideshift, guarantees extremely reduced weight, effective thickness and centre of gravity.

The compact design of the fork carriers, allowing the use of the standard forks of the lift truck, doesn't reduce at all the original visibility.

The excellent visibility of the unit is further increased by a wide central window in the basic Bolzoni Auramo sideshifter, very useful when loading and unloading vehicles.

The fork carriers, actuated by two hydraulic cylinders, slide on a chromed bar in order to ensure fast, smooth and accurate fork positioning.

The unit is also available in non-sideshifting version, FK model.

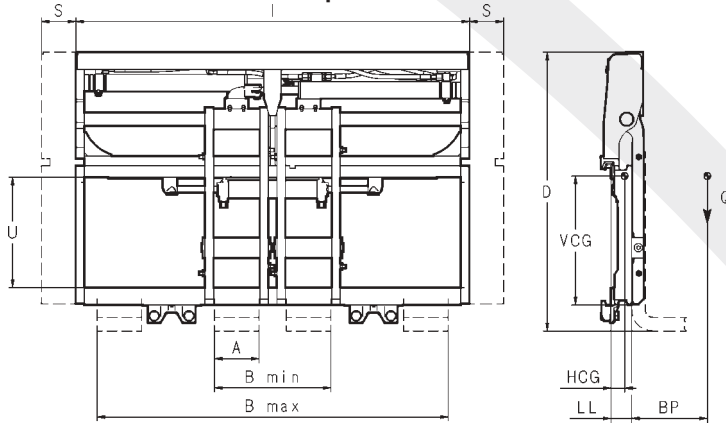


BOLZONI
AURAMO 

Proudly Distributed by:
HS Sales Pty Ltd
Unit 2 / 3 Atlas Ct, Welshpool, WA
www.hssales.net (08) 9468 7933



Fork Positioners Sideshifting fork positioners with bar mounted fork carriers Models FR - Compact



- Separate sideshift.
- Accurate fork positioning, operated on a round chromed bar with bushings.
- With fork carriers.
- Standard forks of the truck can be used without modification.
- Fork carriers sliding on a chromed bar with bushings.
- Excellent visibility, strength and versatility.

Model	Capacity	Load Centre	Opening Range	Frame Width	Minimum Carriage Width	Height	Weight	Centre of Gravity Horizontal	Centre of Gravity Vertical	Effective Thickness	Support Width	Side Visibility	Mounting Class
	Q kg	BP mm	B mm	I mm	FL mm	D mm	W kg	HCG mm	VCG mm	LL mm	A mm	U mm	ISO 2328
FR 25 X9A	2500	500	340-815	940	830	814	104	41	376	60	135	322	2
FR 25 10A	2500	500	340-915	1040	910	814	110	41	376	60	135	322	2
FR 25 11A	2500	500	340-1025	1150	960	814	117	41	377	60	135	322	2
FR 25 12A	2500	500	340-1110	1245	960	814	150	42	339	66	135	272	2
FR 25 14A	2500	500	340-1265	1400	1050	814	162	42	338	66	135	272	2
FR 35 10B	3500	500	370-965	1100	890	916	140	45	423	67	135	415	3
FR 35 11B	3500	500	370-1015	1150	890	916	144	45	423	67	135	415	3
FR 35 12B	3500	500	370-1110	1245	1090	916	151	45	424	67	135	415	3
FR 35 13B	3500	500	370-1215	1350	1090	916	159	45	425	67	135	415	3
FR 49 11B	4900	500	415-980	1150	850	999	233	51	422	77	155	365	3
FR 49 12B	4900	500	415-1075	1245	900	999	244	51	421	77	155	365	3
FR 49 13B	4900	500	415-1180	1350	970	999	256	51	420	77	155	365	3
FR 49 14B	4900	500	415-1380	1550	1200	999	280	50	418	77	155	365	3
FR 49 15B	4900	500	415-1490	1660	1260	999	292	50	416	77	155	365	3

Notes:

- Sideshift stroke always 100 + 100 mm.
- Max. suggested fork length 1500 mm.
- Delivered without forks. Original lift truck forks can be used.