

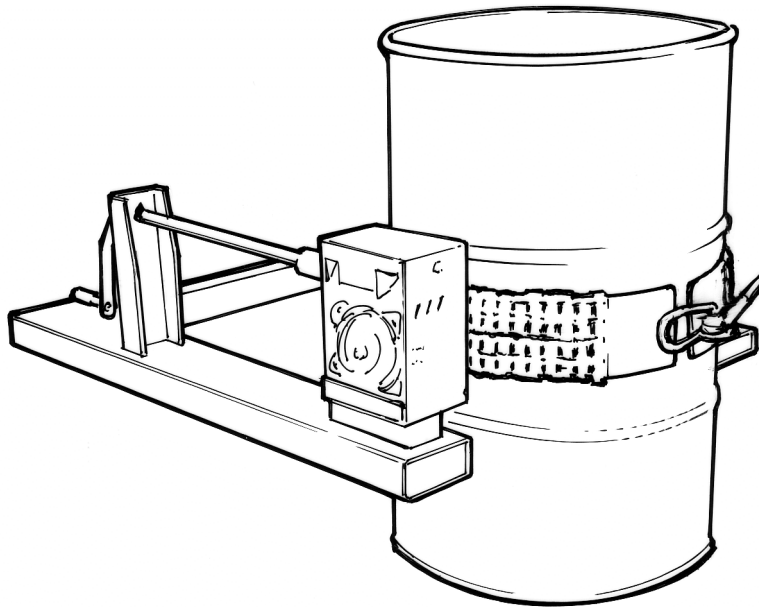


*STRONG, DEPENDABLE ATTACHMENTS AND ACCESSORIES*

2/3 Atlas Court  
Welshpool  
Western Australia 6106

Telephone: (08) 9458 7933  
Facsimile: (08) 9458 1351  
ABN 67 458 625 997

# DRUM TIPPER MANUAL



<b>Model -</b>	<b>HSDR-M</b>
<b>Capacity -</b>	<b>500kgs</b>
<b>Forward rotation -</b>	<b>360 degrees</b>
<b>Unit weight -</b>	<b>135kgs</b>
<b>Paint finish -</b>	<b>Golden Yellow</b>

**Manual grab and rotate of 205 litre drums via either chain or crank handle. No hydraulics required. Heavy duty gear box holds the weight of the drum. Retained by safety chains.**